

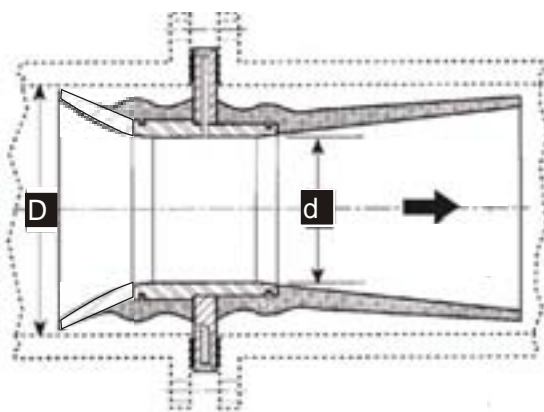
THE PFS WELLMASTER

The HVT-WM Halmi Insert-Type Venturi Meter is Specially Designed to Provide Long-Lasting Service for Well Flow Measurement.

-The HVT-WM Halmi Insert-Type Venturi Meter provides Flow Measurement for Well Water that typically contains fine particulates (such as sand) coming from the aquifer or the well.

The Stainless Steel Inlet Cone Assures Maximum Protection Against Premature Degradation of the Inlet Cone - -An Unavoidable problem with Competitor's All-Plastic Insert Meters

Model HVT-WM Insert-Type Meter for Well Flow



$$\text{Beta} = d/D$$

Line Size: 3" diameter and larger

Standard Beta Ratio: A = 0.5000 (approximate)

B = 0.6000 (approximate)

C = 0.7000

Inlet Cone: 304 Stainless Steel

Recovery Cone: Polyester resin reinforced with glass, 30% by weight

Throat: 304 Stainless steel, standard; Bronze and other materials available

Center Flange: Carbon steel, epoxy coated-standard; Stainless steel and other materials available

Line Pressure: As specified

Line Temperature: To 150 degrees F. maximum-standard; 300 degrees F. maximum-special

Accuracy: Bench Calibrated: +/-0.50 % for 3" diameter and larger

Flow Calibrated: +/- 0.25 % up to 30" line size