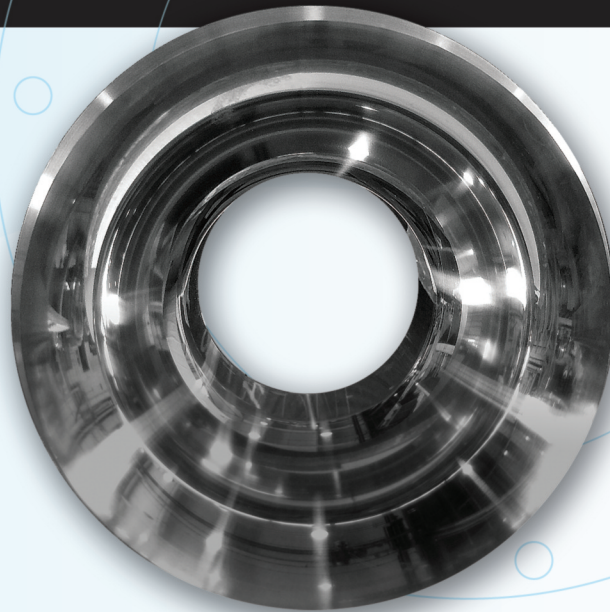


## PFS-FN ASME Flow Nozzle

High Performance, High Accuracy  
Flow Nozzle Device

**P**rimary Flow Signal, Inc. is a leader in the design and manufacture of Venturi differential flow meters. Field-proven in hundreds of thousands of installations worldwide, differential metering ensures the most accurate and reliable metering available anywhere. Through innovation in design and manufacturing, coupled with peerless engineering and technical expertise, PFS delivers customers versatile, ultra-long lasting liquid and gas metering solutions for a broad range of applications and industries.



The **PFS-FN ASME flow nozzle** is a high performance, reliable differential producing flow measurement device. It can be installed in various configurations, and is available to conform to codes of ASME MFC-3M 2004, ASME PTC-6 2004, and ASME PTC 19.5. PFS flow nozzles are available in both flange and weld-in styles, integrates flow conditioners for added accuracy, and diffuser cones to reduce downstream pressure loss.

### PFS-FN ASME Flow Nozzle Features

**Beta ratios:** custom sized and designed for Beta ratio from 0.20 to 0.80

**Line size:** range from 2" to 24"

**Materials:** 300 series stainless steel; other materials available in extreme conditions

**End arrangements:** flanged or welded

**Discharge coefficient:**

Wall tapped nozzles +/- 2.0% meeting ASME MFC standards; +/- 1.0% meeting ASME PTC 19.5 standards

Throat tapped nozzles +/- 0.25% meeting ASME PTC 6 standards

**ASME design standards**

ASME PTC-6 2004

ASME PTC 19.5

ASME MFC-3M

ISO-5167

**ASME fabrication standards**

ASME Section I

ASME B31.1 - power piping

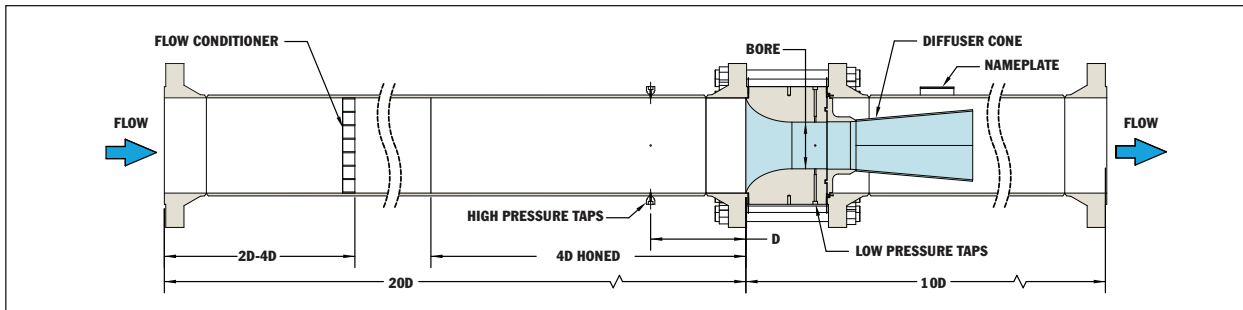
ASME B31.3 - process piping

# Data Sheet

## PFS-FN

### PFS-PTFFR

Ideal for condensate return flow where line pressures are low to moderate



**Application:** clamped between two mating flanges

**Construction:** this assembly allows for easy removal and inspection of the nozzle, pressure taps, and piping during performance testing

**Nozzle:** can be furnished with the diffuser cone integral to the flow nozzle or as an attachment

**End connections:** flanges may be flat faced, ring type joint, large groove, or tongue-and-grooved

**Material:** carbon steel process piping, 304 stainless steel flow nozzle/flow conditioner, other material combinations and grades available

### Support and Service

Our full-time, dedicated service group offers 100% trustworthy support and recertification for flow meters — whether our own or a competitor's brand. Our meter proving services are performed by our trained technicians and the latest testing equipment. Custom meters and instrumentation options for your application are readily available. Many of our products are in stock and ready for immediate shipment.

### Certifications

ISO 9001, ASME S, U, R; European PED Module H; and other internationally recognized certifications, such as GOST, IBR, and CRN.

### Worldwide Support

We serve customers worldwide delivering proven differential and turbine meters, and fire suppression solutions. Our U.S. offices are located in Rhode Island (headquarters); Houston and Odessa-Midland, TX; Tulsa and Altus, OK; Seneca, SC. We also have offices in Edmonton, Alberta, Canada; Beijing, China; and Dubai, United Arab Emirates.

**Contact your PFS, Inc. Field Application Engineer for assistance.**



All PFS products are proudly made in the U.S.A.



**Primary Flow Signal  
Headquarters**

800 Wellington Avenue  
Cranston, RI 02910 USA  
Tel: +1-401-461-6366  
Fax: +1-401-461-4450

[www.primaryflowsignal.com](http://www.primaryflowsignal.com)



15935 U.S. Highway 283, PO Box 933  
Altus, OK 73522 USA  
Tel: +1-580-477-3067  
Fax: +1-580-477-3071

[www.turbinexincorporated.com](http://www.turbinexincorporated.com)



6 Grand View Street  
Coventry, RI 02816  
Tel: +1-401-828-9787  
Fax: +1-401-828-9788

[www.pfs-fsg.com](http://www.pfs-fsg.com)